



**ELECTROLUX HOME PRODUCTS PTY LTD**  
ABN 51 004 762 341

Technical Publication N° CE398.doc

Issue: 1  
Date: 6/09

**WEB SITE ADDRESS: [www.partnship.com.au](http://www.partnship.com.au)**

***WESTINGHOUSE***

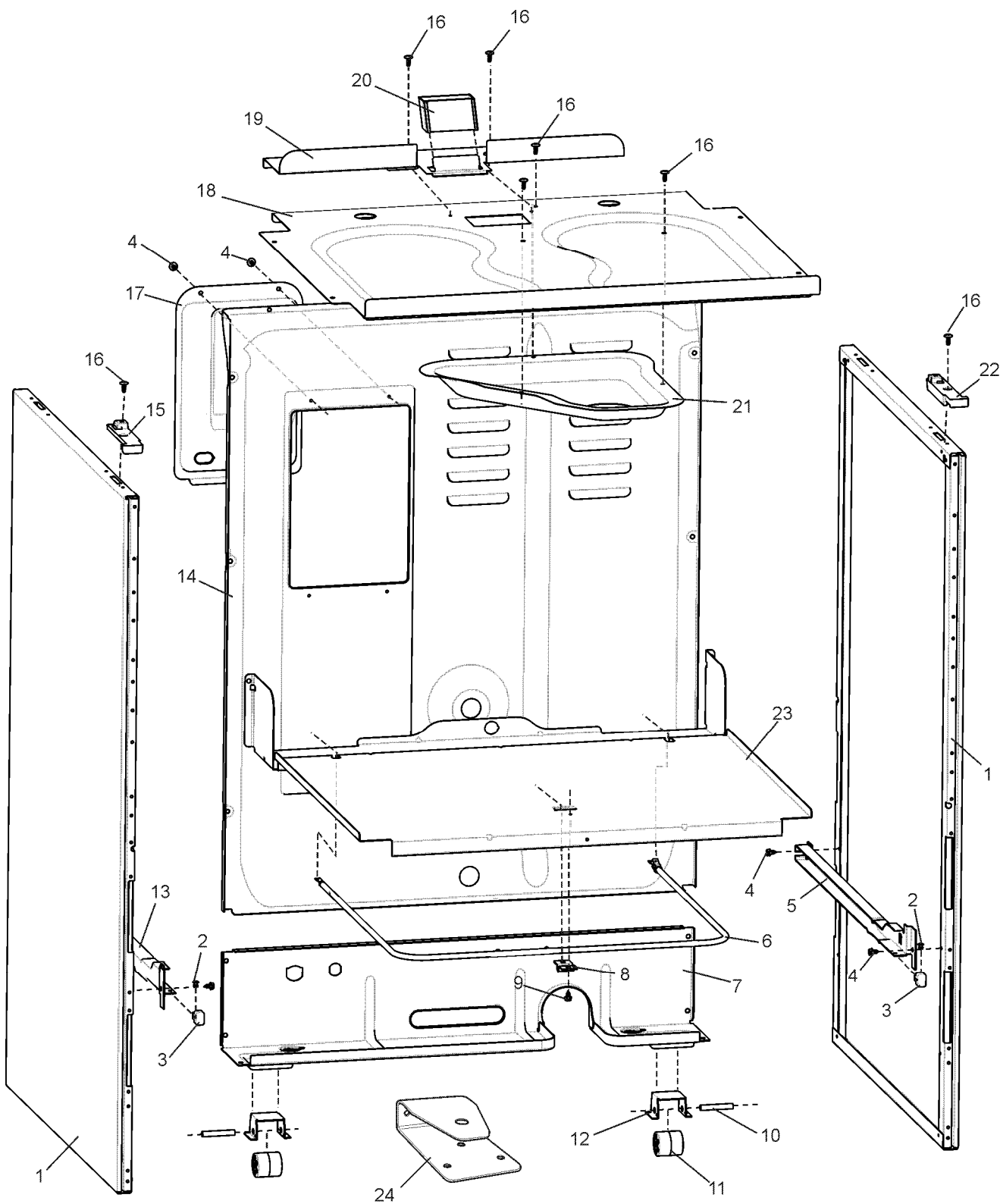
***ELECTRIC  
UPRIGHT COOKERS  
“4U” SERIES***

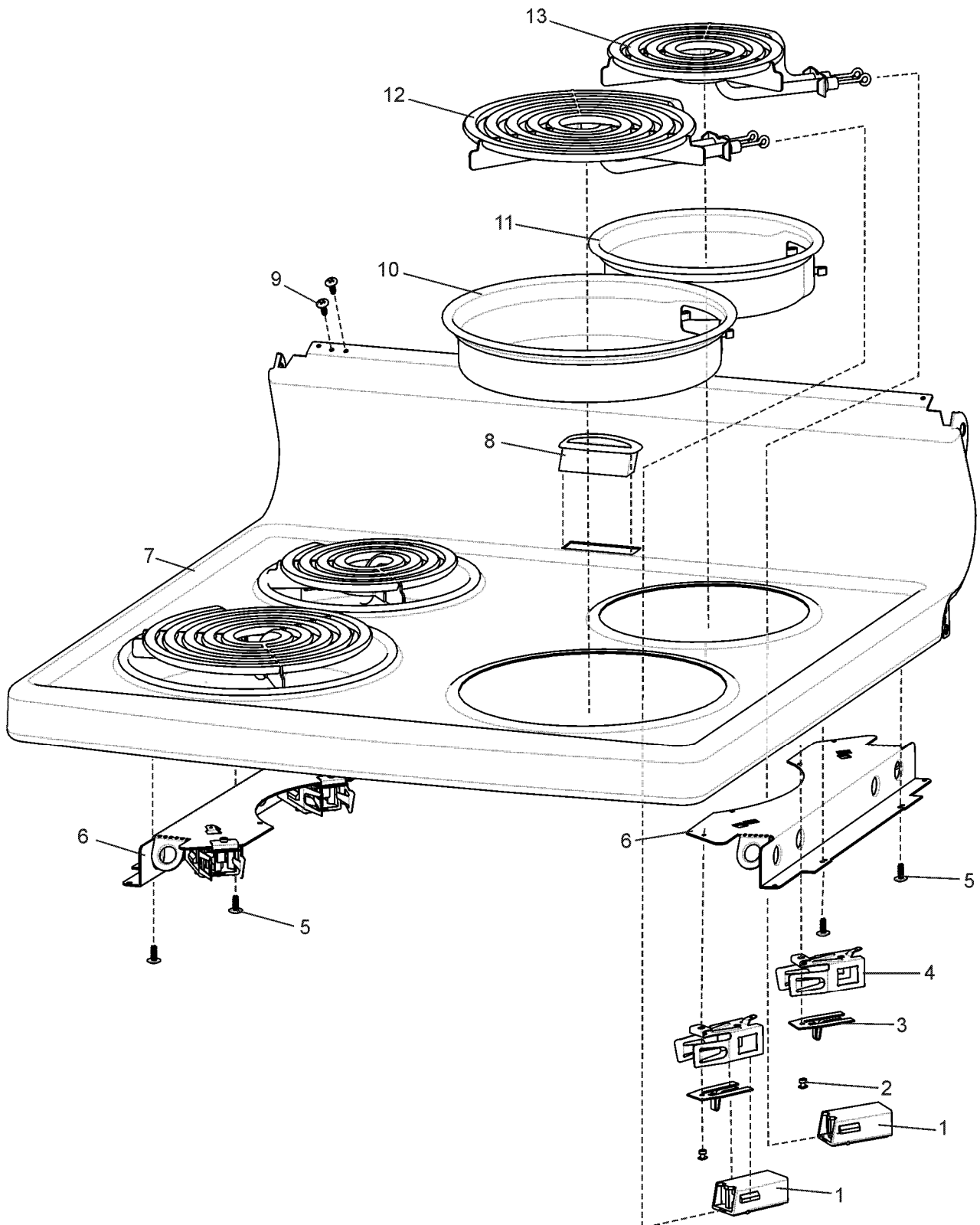
***MODELS:***

**4U612W\*46 (Neptune)**

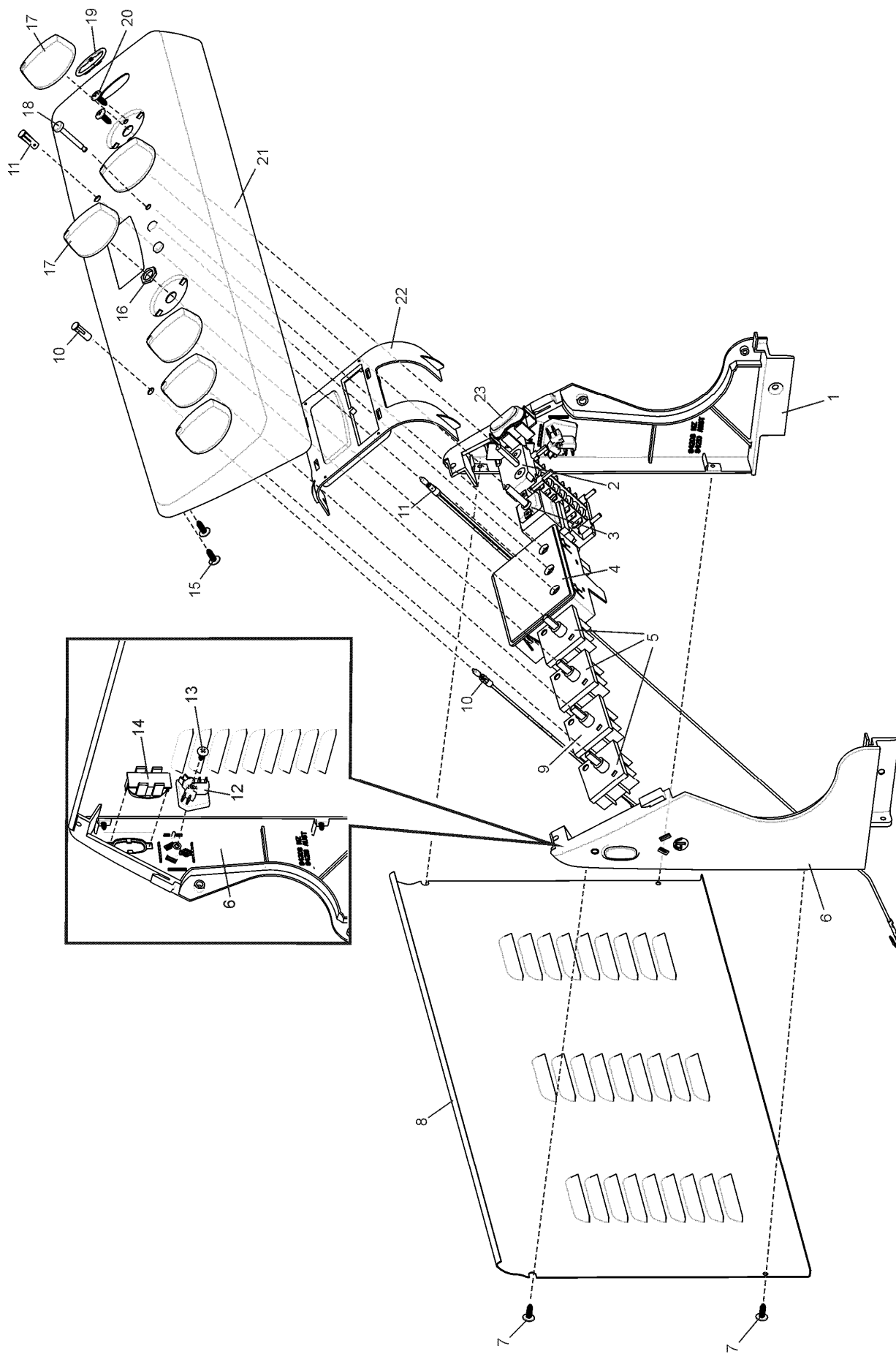
**4U613W\*46 (Saturn)**







EX. VIEW DRAWING 5417  
CONTROL PANEL  
ASSEMBLY



EX. VIEW DRAWING 5390  
INTERNAL PACK  
ASSEMBLY

